

LORO-X Versal® Siphonic drain, for transportation surfaces

DN 70

without thermal insulation

LX850-5X

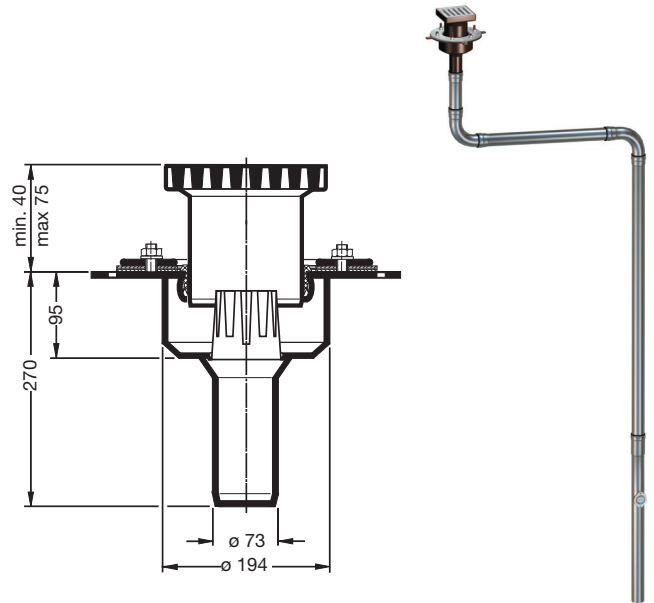
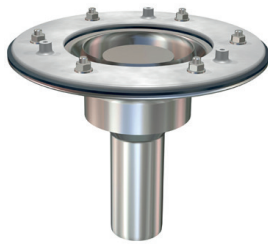
Serie 21

LORO-VERSAL® Siphonic drain base unit, with clamping flange

one-piece

Art.-No. 19543.070X

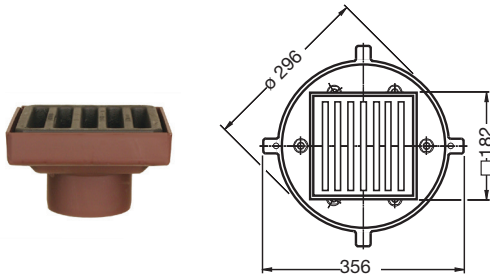
Weight: 4,3 kg



LORO-VERSAL® Strainer unit car accessible Class M (12,5 t)

Art.-No. 18621.125X

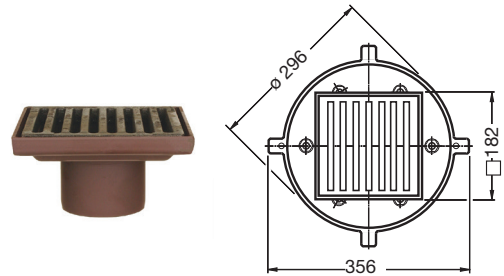
Weight: 6,4 kg



LORO-VERSAL® Strainer unit accessible Class L (1,5 t)

Art.-No. 18620.125X

Weight: 4,6 kg



Heat tracing: Lorowerk recommends to check all drains and pipes with regard to their frost-sensibility. Where necessary, these parts should be upgraded with heat tracing.